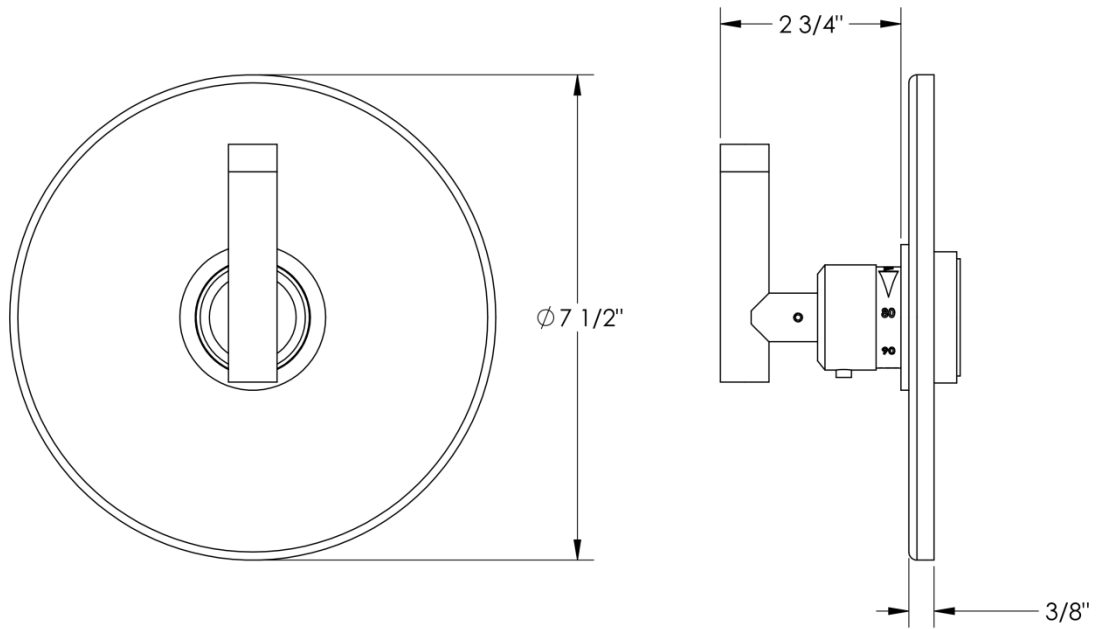


25-T10-IN14

Thermostatic Trim Kit

Requires SS-TH1000 or SH-TH3000 Concealed Rough



Meets the applicable requirements of ASME A112.18.1-2005/CSA B125.1-05, entitled "Plumbing Supply Fittings"

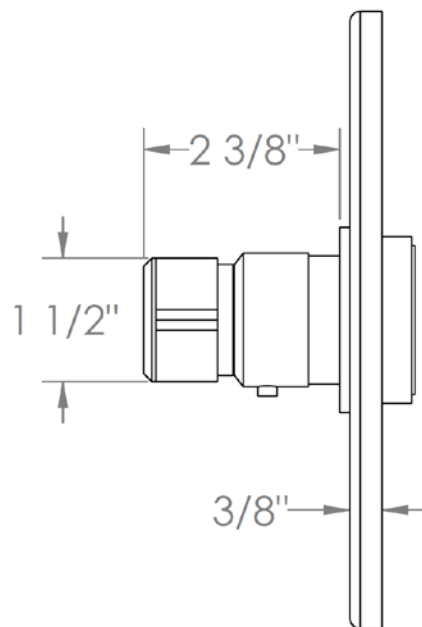
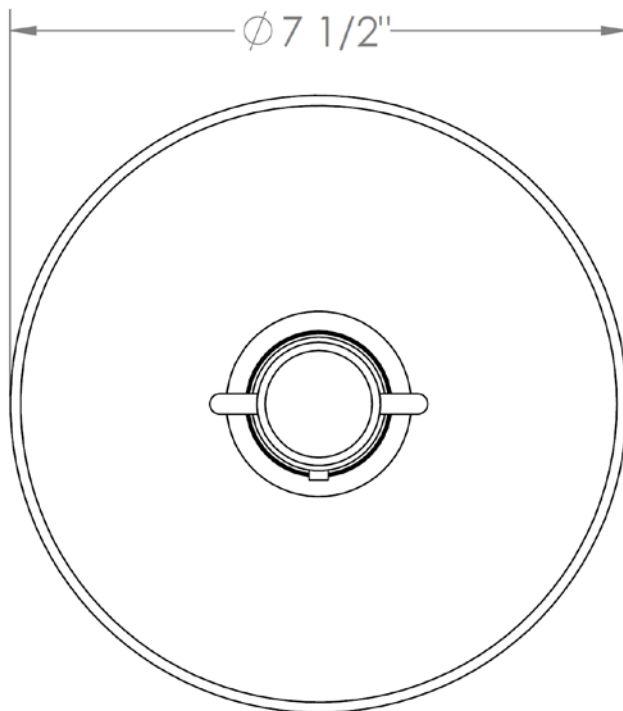
WATERMARK DESIGNS 8/9/2017

350 Dewitt Ave Brooklyn NY 11207 USA T 718 257 2800 F 718 257 2144 info@watermark-designs.com

25-T10-IN16

Trim Kit Only for Thermostatic Valve

For use with SS-TH1000 or SS-TH3000 concealed rough



WATERMARK DESIGNS 3/28/2018